

## K-LOK SINGLE POLE CONNECTOR

400A, 600V AC/DC

### LINE FEMALE

# KUPO®

#### Features

- \* Non-metallic retaining screw locks brass contact firmly in position
- \* Inner robust insulation sleeve adds heat-resistance and strength
- \* Ribbed body provides slip-free grip over the operation
- \* Significant arrow assists the mating of inline connectors



**Item Number:** KL-400LFG

**Color:** Green

**Description:** 400A K-LOK inline, cable size #6 AWG to 4/0

#### Listings

UL and cUL Listed file number E332947

Environment Rating: UL enclosure types 3R

Flame Class: HB / UL94

#### Material Information

Base Compound: Santoprene TPV

Temperature Rating: up to 105°C

Contact Material: Brass

Retaining Screw Material: POM

Insulation Sleeve Material: POM

#### Electrical Information

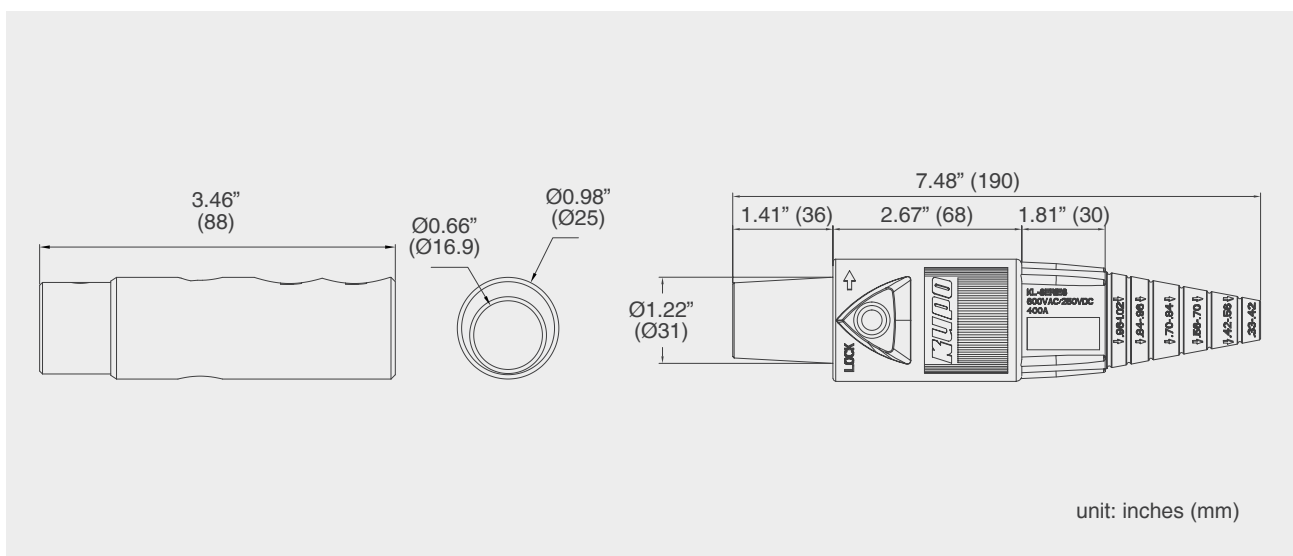
Amperage Rating: 400A Maximum

Voltage Rating: 600V AC/DC Maximum

#### Mechanical Information

Terminal Accommodation: #6 to 4/0 AWG

Connection type: double set screws



- Specifications subject to change without notice.
- [www.stage.com.tw](http://www.stage.com.tw)