

**Features**

- Compliance with CEE17 Standards: The CEE form series adheres to the CEE17 standards for industrial plugs and sockets, ensuring reliability and performance across various applications.
- Tailored for the Entertainment Industry: The Black & Blue (B&B) series stands out with its distinctive 250V rating and matt black finish, while the All-Black series offers a fully inconspicuous design. Both series are engineered to minimize reflections, ensuring they blend seamlessly into the background during event productions
- Wide Voltage and Ampere Range: These connectors support a versatile range from 16 to 125 Amp and voltage ratings from 110 to 400 volts, with CE approval and IP44/IP67 ratings for safety in different environments.

**Product Information**

Item: KHTN425  
 Amperage Rating: 32A Maximum  
 Voltage Rating: AC 380~415V Maximum  
 Pole: 5(3P+N+E)  
 Earth Contact Position (Key): 6h  
 Suitable Cable Size: 2.5-10 mmsq



**Listings & CE Compliance**

Low Voltage Directive 2014/35/EU  
 IEC/EN 60309-1: 1999 +A1:2007 +A2:2012  
 IEC/EN 60309-2: 1999 +A1:2007 +A2:2012  
 RoHS Directive 2011/65/EU and (EU)2015/863 of the European  
 EU REACH Regulation No 1907/2006 Article 33(1) Obligation

**Material Information**

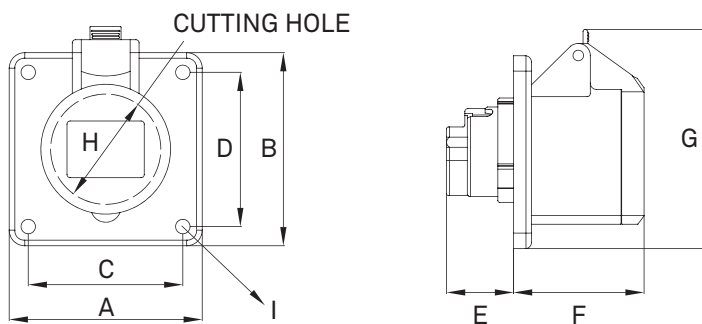
Housing Material: Flame Retardant PA6 Nylon  
 Housing Color: Red  
 Contact Material: Brass with Nickle plated

**Environmental Information**

IP Rating: IP44  
 Operation Temperature: -25 ~ 40 Celsius degree



Item	Dimensions (mm)						
	A/B	C/D	E	F	G	H	I
KHTN425	75	60	30	63	100	64	4.5



- Specifications subject to change without notice.
- [www.stage.com.tw](http://www.stage.com.tw)