

### K3341 PANEL FEMALE

63A 6h IP44 | 3P+E | 380-415V



#### Product description

63A panel-mounted female socket with hinged cover, screw terminals, flame-retardant housing and IP44 protection.

#### Typical applications

Designed and manufactured according to IEC 60309-1/2:2021 and GB/T11918.1/2-2014 for factory power distribution, machinery, construction sites, chemical plants, ports, airports, drainage and wastewater projects.

#### Product Data

<b>Product type</b>	Panel Female, 63 A	<b>Rated voltage</b>	380-415 V
<b>Rated current</b>	63 A	<b>Earth Contact Position</b>	6h
<b>Poles</b>	3P+E, 4-pole	<b>Protection grade</b>	IP44
<b>Withstand voltage</b>	AC 2500 V	<b>Insulation resistance</b>	500 V d.c. 1 min > 5 Mohm
<b>Certification</b>	TUV, CB, CE	<b>Environmental compliance</b>	RoHS; non-RoHS optional
<b>Mechanical life</b>	≥ 50,000 mating cycles, no load	<b>Dimensions</b>	See dimensions drawing
<b>Salt spray resistance</b>	> 48 h, no rust	<b>Impact test</b>	-25 C., 16 h, > 0.5 kg, 25 deg

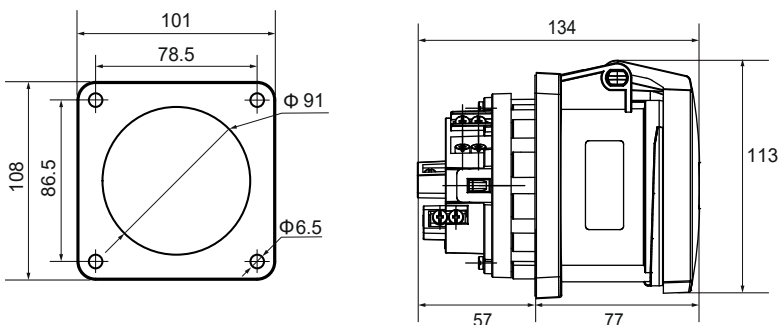
#### Materials and Construction

<b>Contacts</b>	Brass, Natural copper finish	<b>Contact process</b>	Stamping + machining
<b>Housing</b>	Flame-retardant nylon(PA) glow-wire 650 °C	<b>Housing color</b>	Red + white
<b>Insert / contact carrier</b>	Flame-retardant nylon PA glow-wire 850 °C	<b>Insert color</b>	Rust red
<b>Screw accessories</b>	Iron / stainless steel	<b>Surface treatment</b>	Zinc plating
<b>Manufacturing</b>	Injection molding for housing and insert	<b>Terminal type</b>	Screw terminal

#### Operating, Packing and Compatibility

<b>Operating temperature</b>	-25 °C to 125 °C	<b>Humidity</b>	93% at 40 °C
<b>Compatible products</b>	K0341, K0342	<b>Packing</b>	Inner: 1 pcs / box; Outer: 20 pcs / carton

#### Dimensions (mm)



<b>Cable Nominal Cross-section Area (mm<sup>2</sup>)</b>	1 - 2.5
--	---------