

### K3241 PANEL FEMALE

32A 6h IP44 | 3P+E | 380-415V



#### Product description

32A panel-mounted female socket with hinged cover, screw terminals, flame-retardant housing and IP44 protection.

#### Typical applications

Designed and manufactured according to IEC 60309-1/2:2021 and GB/T11918.1/2-2014 for factory power distribution, machinery, construction sites, chemical plants, ports, airports, drainage and wastewater projects.

#### Product Data

|                              |                                 |                                 |                               |
|------------------------------|---------------------------------|---------------------------------|-------------------------------|
| <b>Product type</b>          | Panel Female, 32 A              | <b>Rated voltage</b>            | 380-415 V                     |
| <b>Rated current</b>         | 32 A                            | <b>Earth Contact Position</b>   | 6h                            |
| <b>Poles</b>                 | 3P+E, 4-pole                    | <b>Protection grade</b>         | IP44                          |
| <b>Withstand voltage</b>     | AC 2500 V                       | <b>Insulation resistance</b>    | 500 V d.c. 1 min > 5 Mohm     |
| <b>Certification</b>         | TUV, CB, CE                     | <b>Environmental compliance</b> | RoHS; non-RoHS optional       |
| <b>Mechanical life</b>       | ≥ 50,000 mating cycles, no load | <b>Dimensions</b>               | See dimensions drawing        |
| <b>Salt spray resistance</b> | > 48 h, no rust                 | <b>Impact test</b>              | -25 C, 16 h, > 0.5 kg, 25 deg |

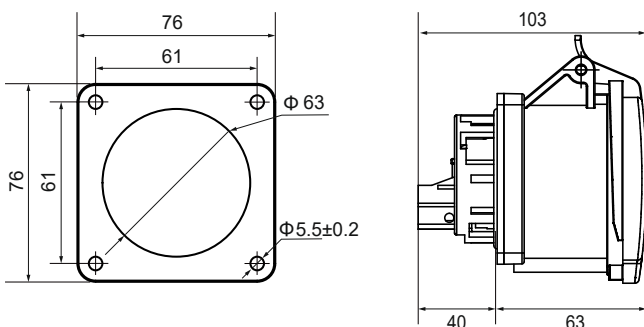
#### Materials and Construction

|                                 |   |                          |                      |
|---------------------------------|---|--------------------------|----------------------|
| <b>Contacts</b>                 | Brass, Natural copper finish              | <b>Contact process</b>   | Stamping + machining |
| <b>Housing</b>                  | Flame-retardant nylon(PA) glow-wire 650 C | <b>Housing color</b>     | Red + white          |
| <b>Insert / contact carrier</b> | Flame-retardant nylon PA glow-wire 850 C  | <b>Insert color</b>      | Rust red             |
| <b>Screw accessories</b>        | Iron / stainless steel                    | <b>Surface treatment</b> | Zinc plating         |
| <b>Manufacturing</b>            | Injection molding for housing and insert  | <b>Terminal type</b>     | Screw terminal       |

#### Operating, Packing and Compatibility

|                              |                    |                 |   |
|------------------------------|--------------------|-----------------|---|
| <b>Operating temperature</b> | -25 C to 125 C     | <b>Humidity</b> | 93% at 40 C                                 |
| <b>Compatible products</b>   | K024, K0241, K0242 | <b>Packing</b>  | Inner: 10 pcs / box; Outer: 60 pcs / carton |

#### Dimensions (mm)



|  |         |
|--|---------|
| <b>Cable Nominal Cross-section Area (mm<sup>2</sup>)</b> | 2.5 - 6 |
|--|---------|