

K3132 PANEL FEMALE

16A 6h IP67 | 2P+E | 220-250V



Product description

Waterproof 16A panel-mounted female socket with hinged cover, screw terminals, flame-retardant housing and IP67 protection.

Typical applications

Designed and manufactured according to IEC 60309-1/2:2021 and GB/T11918.1/2-2014 for factory power distribution, machinery, construction sites, chemical plants, ports, airports, drainage and wastewater projects.

Product Data

Product type	Panel Female, 16 A	Rated voltage	220-250 V
Rated current	16 A	Earth Contact Position	6h
Poles	2P+E, 3-pole	Protection grade	IP67
Withstand voltage	AC 2500 V	Insulation resistance	500 V d.c. 1 min > 5 Mohm
Certification	TUV, CB, CE	Environmental compliance	RoHS; non-RoHS optional
Mechanical life	≥ 50,000 mating cycles, no load	Dimensions	See dimensions drawing
Salt spray resistance	> 48 h, no rust	Impact test	-25 C, 16 h, > 0.5 kg, 25 deg

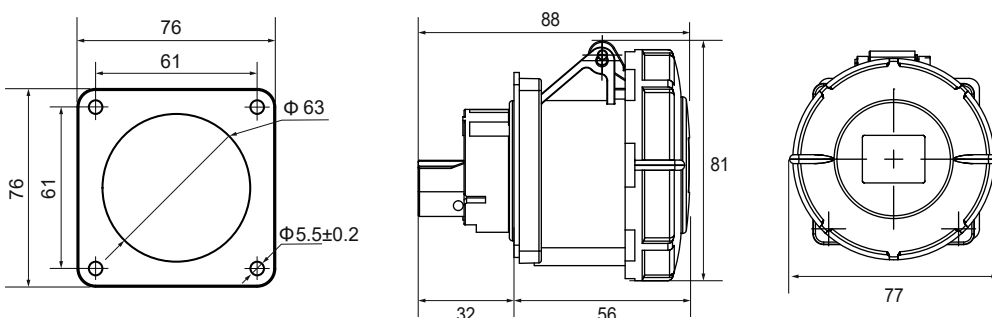
Materials and Construction

Contacts	Brass, Natural copper finish	Contact process	Stamping + machining
Housing	Flame-retardant nylon(PA)+ PC glow-wire 650 C	Housing color	Blue + white
Insert / contact carrier	Flame-retardant nylon PA glow-wire 850 C	Insert color	Rust red
Screw accessories	Iron / stainless steel	Surface treatment	Zinc plating
Manufacturing	Injection molding for housing and insert	Terminal type	Screw terminal

Operating, Packing and Compatibility

Operating temperature	-25 C to 125 C	Humidity	93% at 40 C
Compatible products	K013, K0131, K0132	Packing	Inner: 10 pcs / box; Outer: 60 pcs / carton

Dimensions (mm)



Cable Nominal Cross-section Area (mm²)	1 - 2.5
--	---------