

MALE PROTECTIVE CAPS

Available in both inline male and female variants, K-lok protective cap is designed to seamlessly complement your cam-type connectors, ensuring a secure fit to meet NEMA 3R rating and safeguarding against dust, debris, and environmental elements. Crafted from high-quality Santoprene, the same durable material utilized in 400A connectors, this product guarantees exceptional reliability and longevity. Each cap comes equipped with a convenient lanyard for effortless attachment. Offered in a variety of colors to match the aesthetics of inline connector.

Description: 400A K-LOK inline male protective cap with lanyard

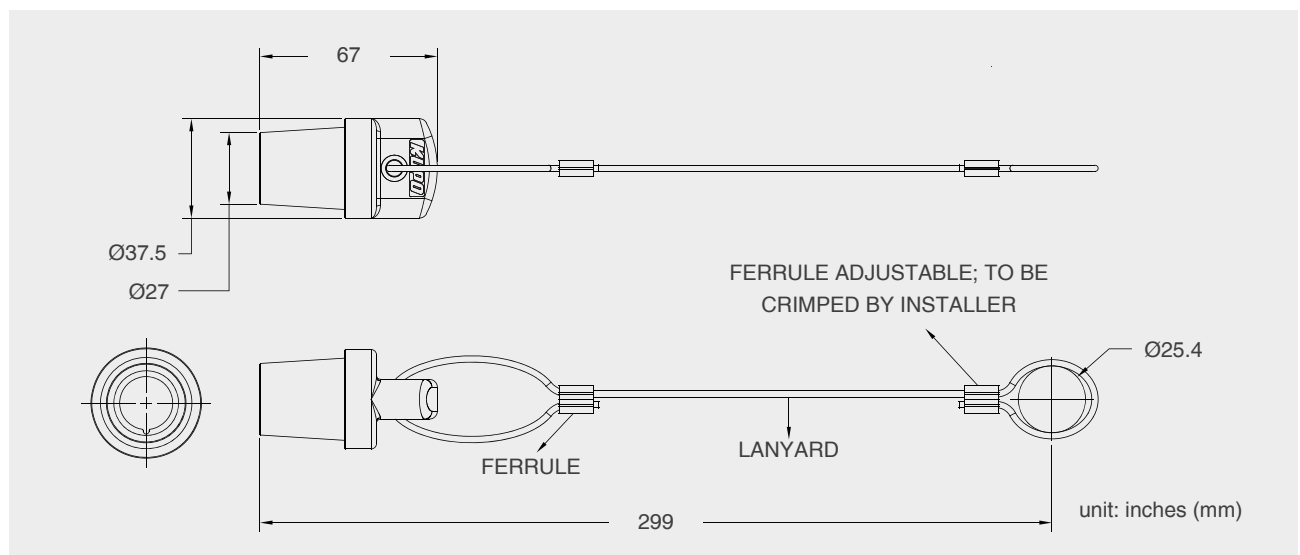
Item Number & Color: Refer to the following chart
 Example: Brown Male Protective Cap = KL-40MPCBN
KL-40MPC **BK** **R** **B** **W** **G** **BN** **GY** **Y** **O**

Listings

Environment Rating: UL enclosure types 3R
 Flame Class: HB / UL94

Material Information

Base Compound: Santoprene TPV
 Temperature Rating: up to 105°C



- Specifications subject to change without notice.
- www.stage.com.tw